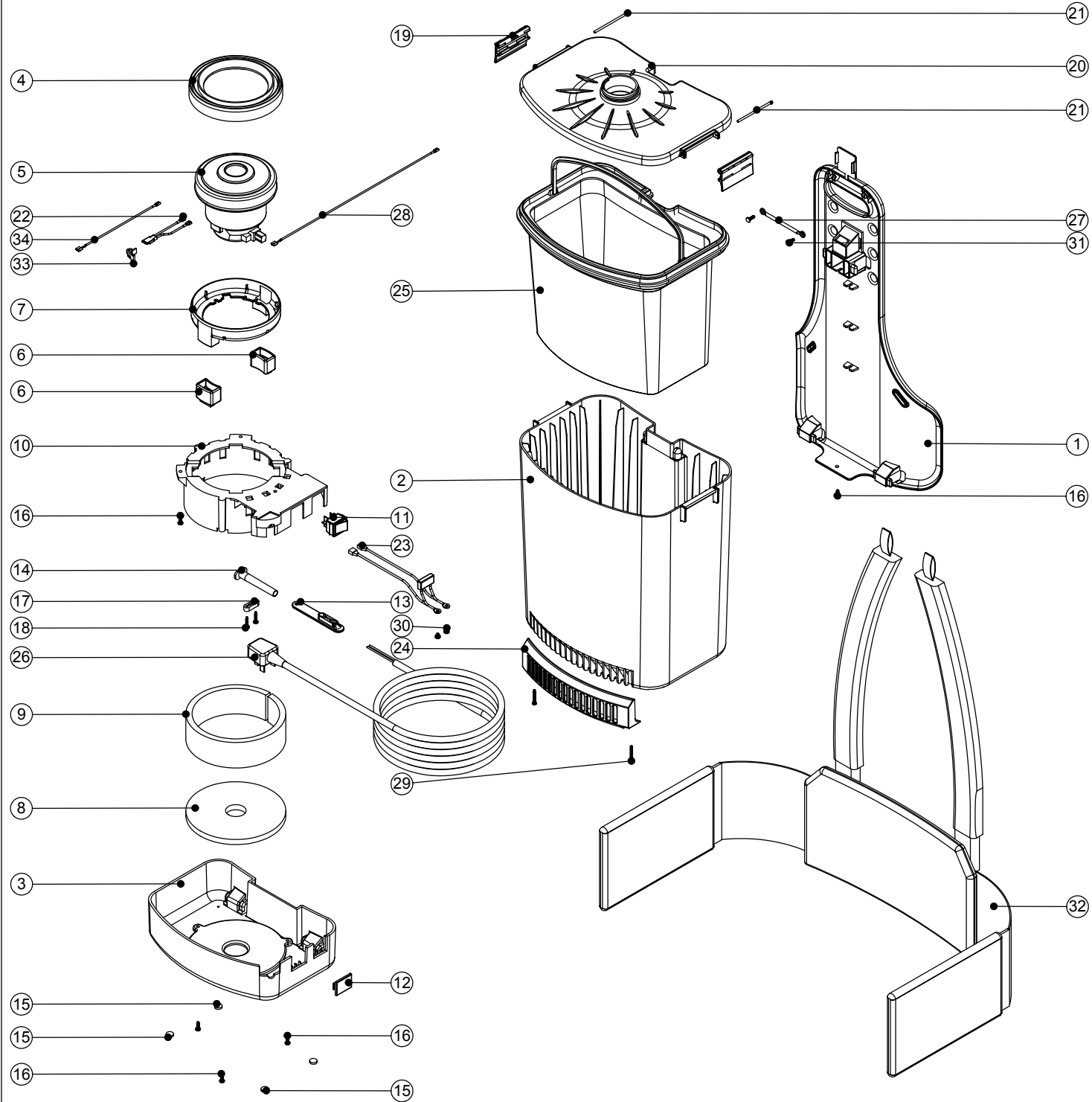


Numatic International Spare Parts

Model No: RSV-200 / RSV-200M

231712
DRAWING: EXP-0329 ISS:A10
26/01/2005



Numatic International Spare Parts

Model No: RSV-200 / RSV-200M

| POS: | ITEM NO: | DESCRIPTION: | COMMENTS: |
|------|----------|---|-------------------|
| 1 | 206509 | BACK SUPPORT MOULDING (LONG) | |
| 2 | 328057 | GREY BODY MOULDING (PRINTED BLACK NUMATIC LOGO) | |
| 3 | 227184 | BASE MOULDING | |
| 4 | 202065 | BOTTOM MOTOR GASKET | |
| 5 | 205070 | 230V MOTOR | |
| | 205075 | 120V MOTOR | |
| 6 | 202087 | TOP MOUNTING RUBBER | |
| 7 | 206420 | ES MOTOR SPACER (BLACK) | |
| 8 | 203016 | TOP FELT | |
| 9 | 203017 | SIDE FELT | |
| 10 | 325025 | BLACK MOTOR HOUSING MOULDING | |
| 11 | 220552 | RED ROCKER SWITCH | |
| 12 | 206431 | BLANKING PLATE | |
| 13 | 301208 | MODIFIED CABLE STRAIN RELIEF | |
| 14 | 220923 | STRESS RELIEF | |
| 15 | 206322 | RUBBER FOOT BLACK | |
| 16 | 219101 | No8 X 1/2 INCH LONG POZI PAN PLASTITE SCREW | |
| 17 | 227008 | BLACK CABLE CLAMP | |
| 18 | 219107 | No6 X 5/8 INCH LONG POZI PAN PLASTITE SCREW | |
| 19 | 227186 | TOGGLE MOULDING | |
| 20 | 227183 | LID MOULDING | |
| 21 | 206326 | TOGGLE PIN | |
| 22 | 220929 | BIMETALIC OVERLOAD ASSEMBLY | |
| 23 | 220142 | SUPPRESSOR ASSEMBLY | |
| 24 | 227199 | DIFFUSER MOULDING | |
| 25 | 207998 | FILTER & HANDLE ASSEMBLY | RSV-200 MACHINES |
| | 207997 | MICROTEX FILTER & HANDLE ASSEMBLY | RSV-200M MACHINES |
| 26 | 220249 | MAINS CABLE (2 WIRE/UK PLUG) | |
| | 220502 | MAINS CABLE (2 WIRE/CSA PLUG) | |
| | 220251 | MAINS CABLE (2 WIRE/EURO PLUG) | |
| | 220467 | MAINS CABLE (2 WIRE/SOUTH AFRICAN PLUG) | |
| | 220057 | MAINS CABLE (2 WIRE/NO PLUG) | |
| | 220192 | MAINS CABLE (2 WIRE/SWISS PLUG) | |
| 27 | 206353 | HARNESS PIN | |
| 28 | 320296 | 340MM LONG WHITE LINK WIRE | |
| 29 | 219602 | No6 X 1 INCH LONG POZI PAN PLASTITE SCREW | |
| 30 | 219090 | M4 X 8MM LONG POZI PAN SEMS SCREW | |
| 31 | 219601 | No8 X 3/8 INCH LONG POZI PAN PLASTITE SCREW | |
| 32 | 206462 | RSV HARNESS ASSEMBLY | |
| 33 | 206490 | OVERLOAD CLIP | |
| 34 | 320328 | 150MM LONG WHITE LINK WIRE | |
| 35 | 218012 | NVM1C/2 DISPOSABLE FILTER BAG | (NOT SHOWN) |